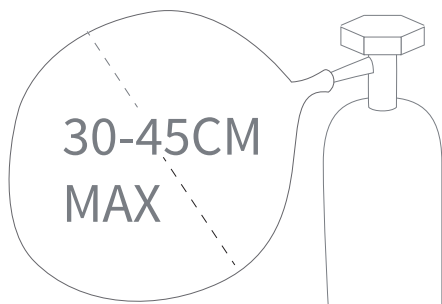
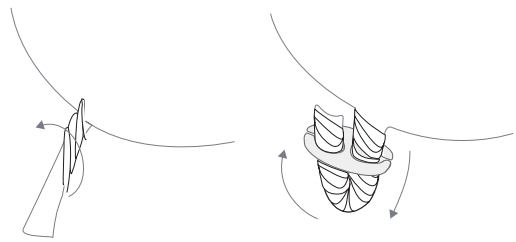


CAPELLA LED BALLOON INSTRUCTIONS

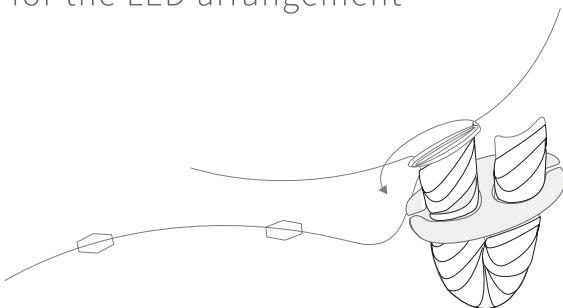
1) hold the balloon neck securely around the helium tank nozzle & inflate following the tank instructions



2) carefully remove from nozzle, twist the balloon neck to close and loop through the supplied balloon clip



3) wrap the end of the LED wire around the neck to further seal the balloon and create a starting point for the LED arrangement



4) arrange the LED wire around the circumference of the balloon to decorate, then turn lights on at the battery pack



**for a different look try filling with feathers, confetti or glitter before inflating*

KEEP OUT OF REACH OF CHILDREN | DO NOT OVER INFLATE | DO NOT INHALE HELIUM