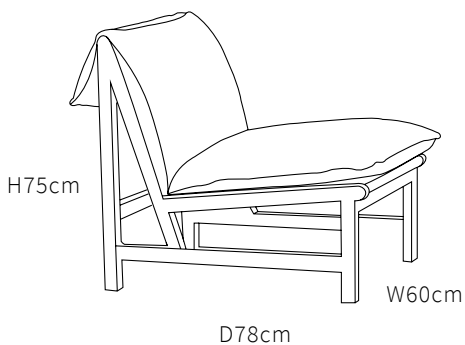


CANTALOUPE CHAIR - FABRIC



FABRIC: OAT - CHA198

52% Polyester, 25% Acrylic, 10% Viscose, 7% Linen, 6% Cotton
100,000 martindale rubs

CUSHION: Foam, Fibre, Feather

FRAME: Solid oak



FABRIC: GHOST GUM - CHA199

52% Polyester, 25% Acrylic, 10% Viscose, 7% Linen, 6% Cotton
100,000 martindale rubs

CUSHION: Foam, Fibre, Feather

FRAME: Solid oak

PRODUCT CARE

Vacuum thoroughly on a weekly basis or as required, to prevent a build up of dust and dirt in the fibres and to protect against marks.

Use low suction and a soft brush attachment. If a spill occurs, gently dab with a clean, damp cloth immediately. Warm water and a mild detergent can be used for stubborn stains.

Do not use cleaners or cleaning agents that are abrasive, caustic or acidic. All removable covers are to be professionally dry cleaned only.

PREVENTATIVE TREATMENT

Providing a protective layer of fabric sealer can greatly prevent or reduce the severity of stains. Professional companies offer this service and we strongly recommend engaging their services.

Regularly plump seat and back cushions thoroughly, most particularly in the case of feather filling, to keep the cushions aerated and the fibre and feathers evenly dispersed for maximum comfort.

Sure Seal Rug & Carpet Protector or similar products can be used should you wish to personally apply this coating. Follow instructions on pack carefully as incorrect application voids your warranty.

This is available at papaya.com.au/brands/sure-seal or your local Papaya store