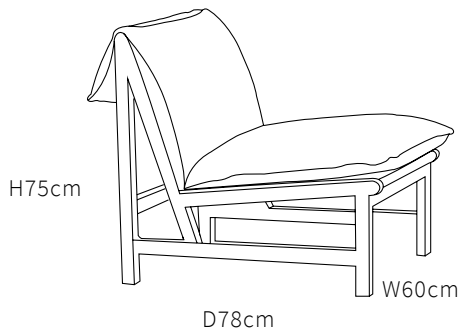


# CANTALOUPE CHAIR - LEATHER



**FABRIC:** TAN - CHA170  
100% Aniline leather  
**CUSHION:** Foam, Fibre, Feather  
**FRAME:** Solid oak

## PRODUCT CARE

Aniline is the softest of all leathers and if cared for well, improves over time. The soft, luxurious surface can easily scratch so avoid sharp items like shoe buckles and clothing zips.

Consider its placement carefully as leather is sensitive to heat sources like air conditioning which dry out the natural oils, as well as sunlight that can dry and fade the pigments. Avoid direct or indirect exposure to sunlight by closing blinds and curtains if necessary. Regularly dust with a dry cloth, or use a soft vacuum attachment.

Avoid detergents and abrasive cleaning chemicals. If a spill occurs, dab immediately with a dry, soft, white cloth to absorb any liquid. This may be all that's required. If necessary, then dab the stain with a clean cloth first soaked in a mild soap solution of 3-5% and then firmly squeeze to remove excess water and soap. Do not soak the leather.

## PREVENTATIVE TREATMENT

A product such as Leather Protection Cream can be applied to protect the leather. This water-based layer works by placing an invisible, breathable barrier on the surface of the leather. It also helps to prevent soiling and protects your furniture from water, oil and alcohol-based stains.

No product can provide 100% protection, but a leather cream can help prevent or diminish the impact of most soiling, and makes those stains that do occur easier to remove. Be sure to apply evenly so as not to darken the leather in patches.

The cream above is available at: [Multimaster.com.au](http://Multimaster.com.au)